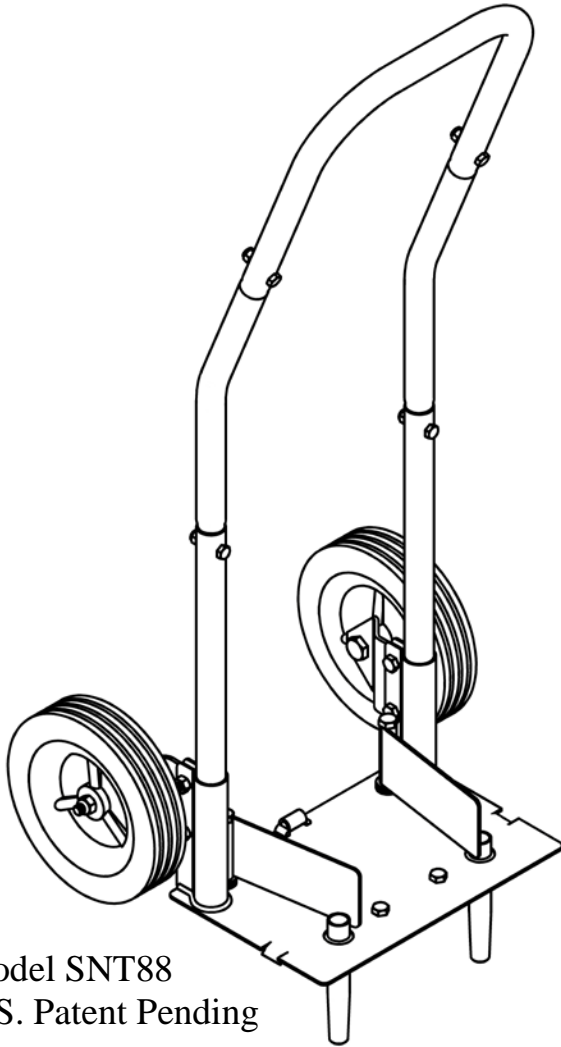
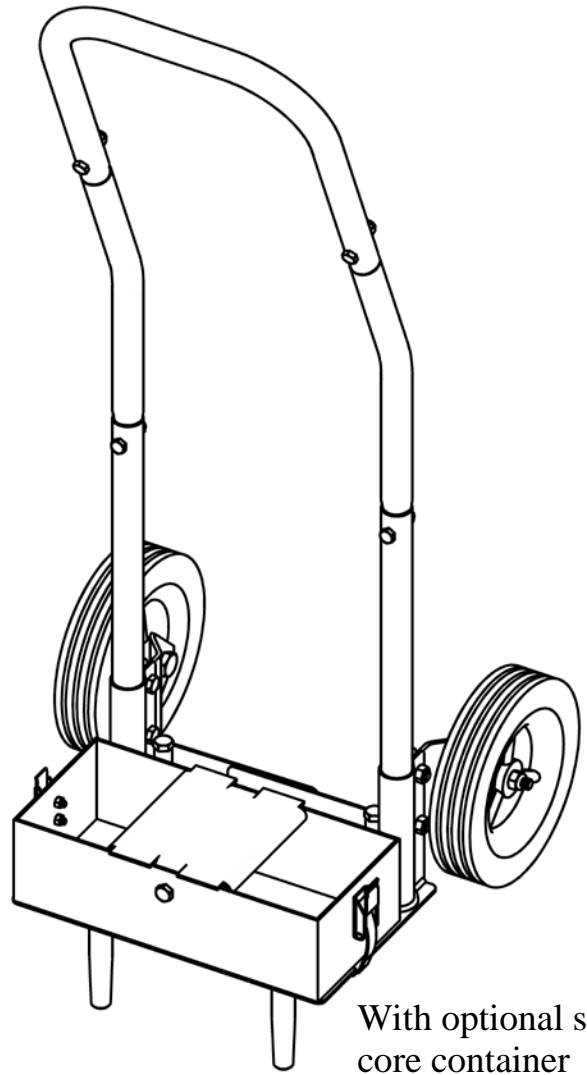


Step 'N Tilt™ Lawn Aerator
The Easy Way to Revitalize Your Lawn

Installation & Owner's Manual



Model SNT88
U.S. Patent Pending



With optional soil
core container

**IMPORTANT: READ THIS MANUAL CAREFULLY BEFORE USING THE
STEP 'N TILT™ LAWN AERATOR**

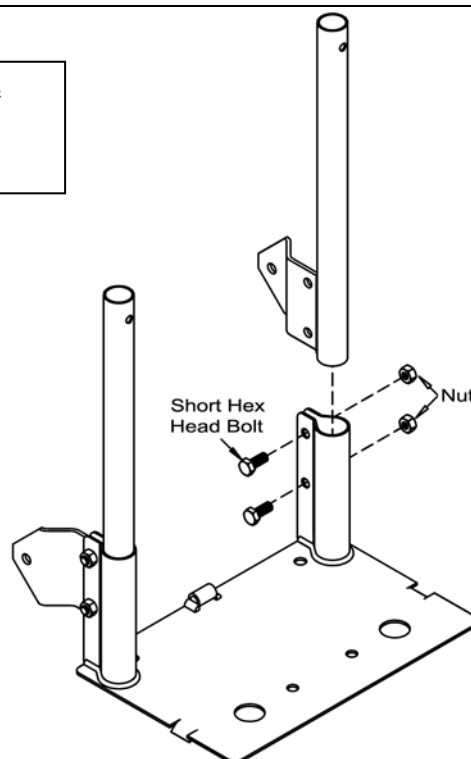
Vibrant Yard Company, LLC
216 S. Jamestown Circle, Andover, KS 67002, USA
Email: cs@corelawnaerator.com
Tel: 316-519-2168

1. INTRODUCTION

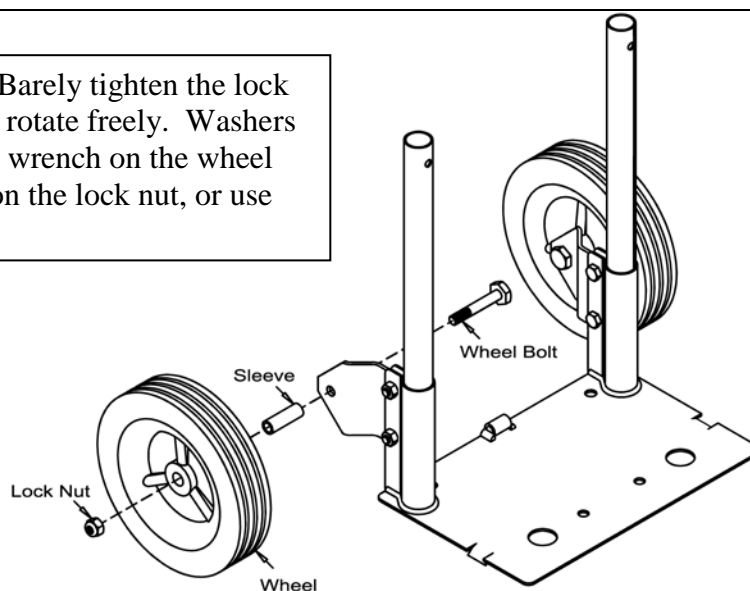
Congratulations on your purchase of the Step 'N Tilt™ lawn aerator. We are confident that you will be amazed by the capability of this aerator. In addition to lawn aeration, your Step 'N Tilt™ is also a very capable hand truck. For your safety, please read and understand all installation and operating instructions in this manual before attempting to install and use your Step 'N Tilt™. This manual should be kept in a safe place for future reference.

2. INSTALLATION

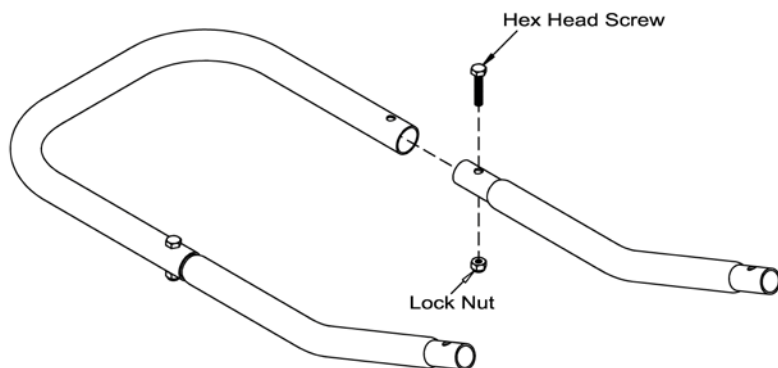
Step 1: Install the vertical bars to the base plate as shown. Use 14-mm or adjustable wrenches.



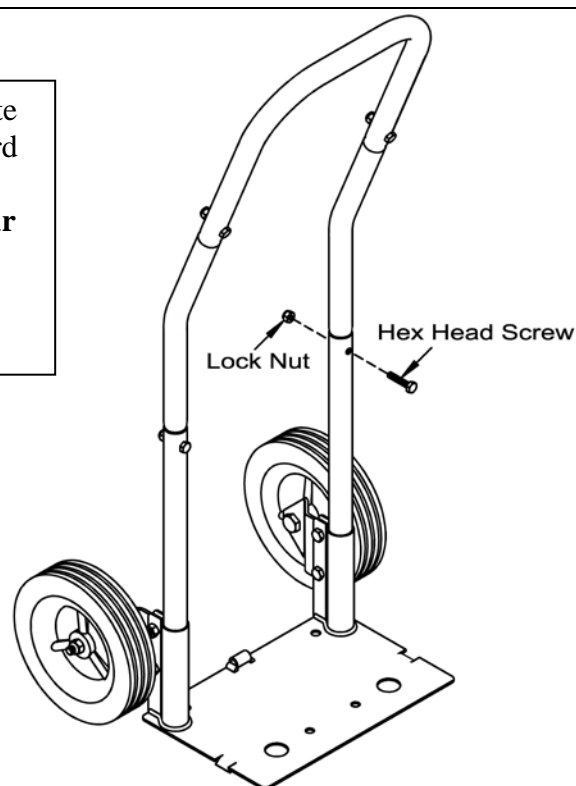
Step 2: Install the wheels. Barely tighten the lock nut such that the wheel can rotate freely. Washers are optional. Use a 16-mm wrench on the wheel bolt and a 17-mm wrench on the lock nut, or use adjustable wrenches.



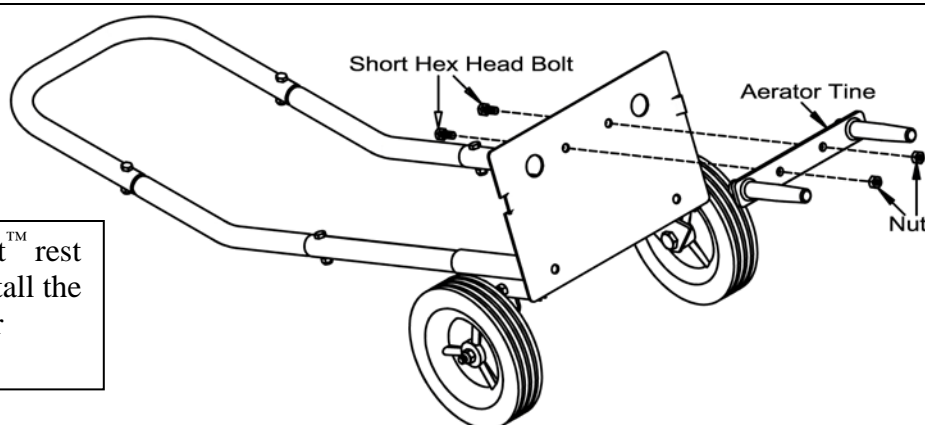
Step 3: Install the upper handle bar as shown. **DO NOT** tighten the nuts yet; you will tighten the nuts in step 4.

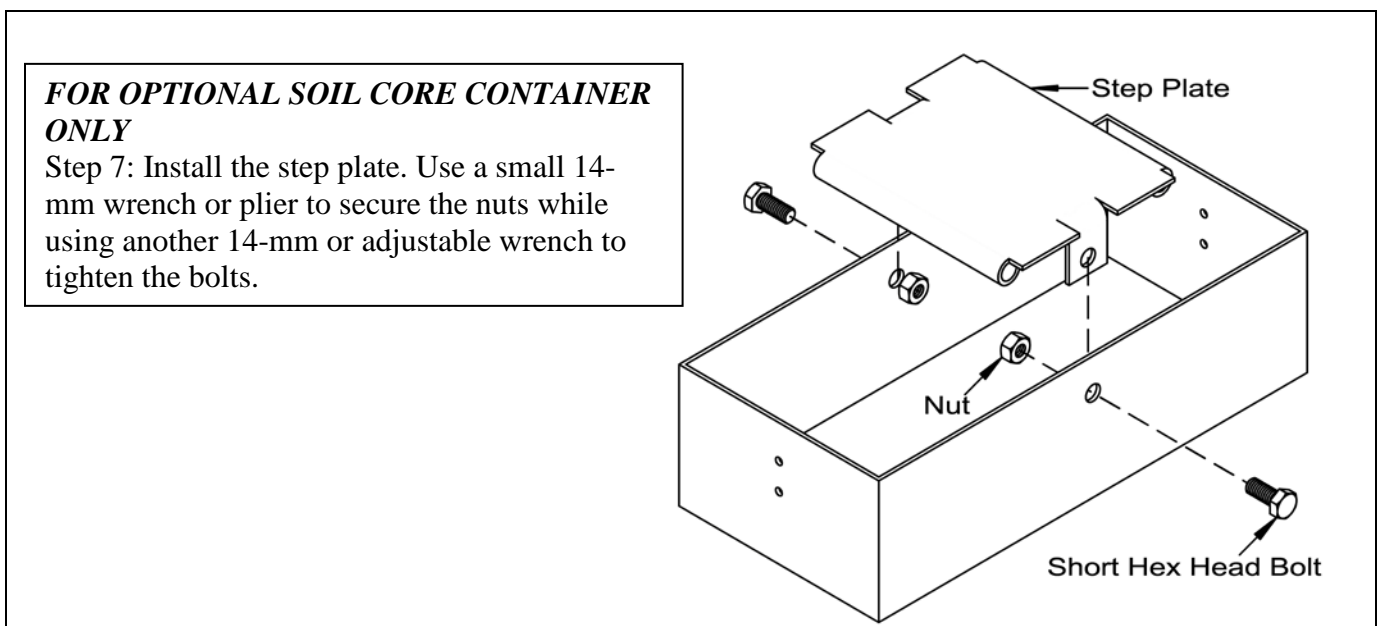
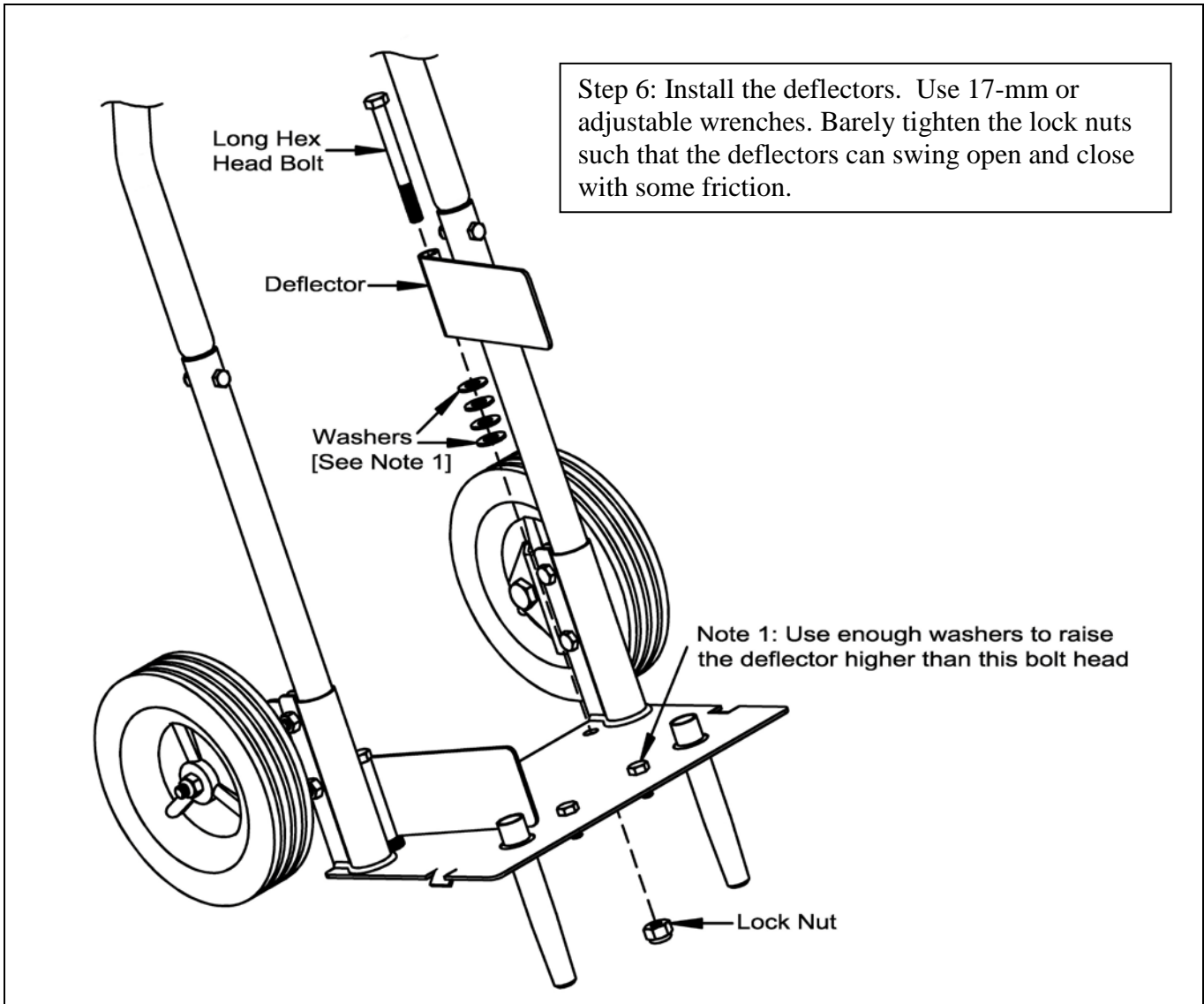


Step 4: Install the upper handle bar onto the base. Note orientation of the handle bar; it should be tilted forward as shown in the picture. Use 10-mm or adjustable wrenches to tighten the fasteners. **Tighten all the four lock nuts until there is no front-to-back play in the joints; some side-to-side play is normal. DO NOT** over tighten the nuts.



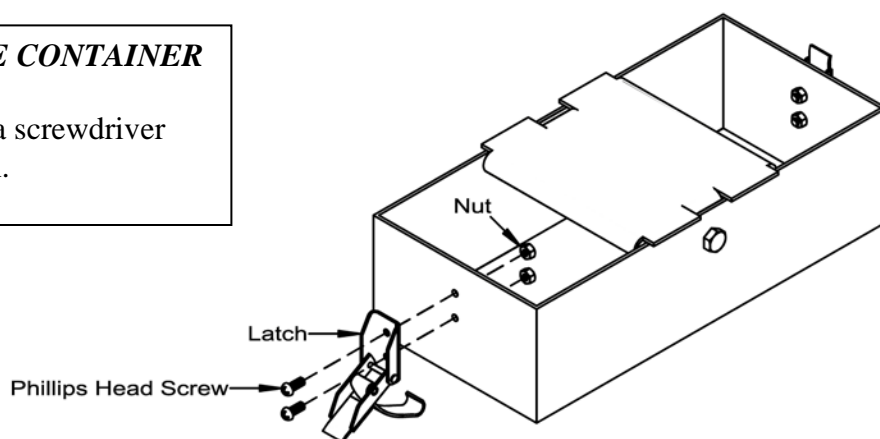
Step 5: Let the Step 'N Tilt™ rest horizontally as shown. Install the aerator tine. Use 14-mm or adjustable wrenches.





FOR OPTIONAL SOIL CORE CONTAINER ONLY

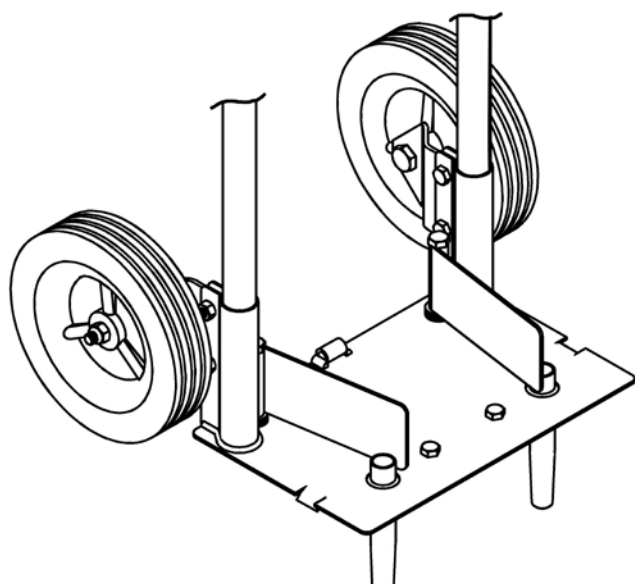
Step 8: Install the latches. Use a screwdriver and 7-mm or adjustable wrench.



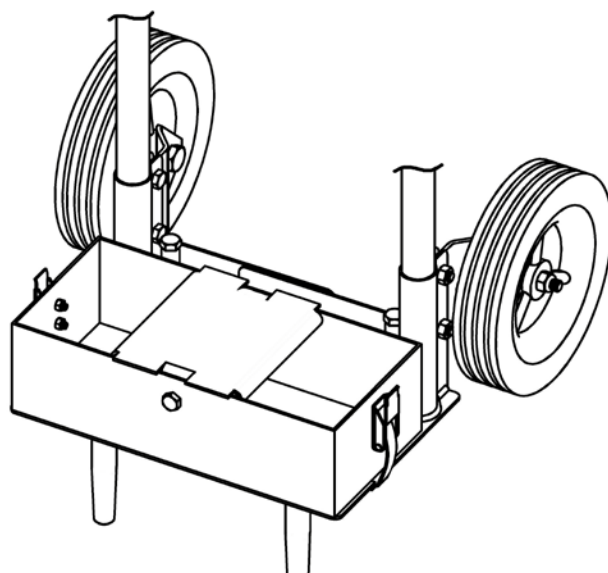
3. USING THE STEP 'N TILT™

Always wear leather shoes or rubber boots while operating the Step 'N Tilt™. The Step 'N Tilt™ aerator tines are very sharp. Serious injury to legs and feet will occur if it is not handled carefully. Always exercise caution when operating the Step 'N Tilt™.

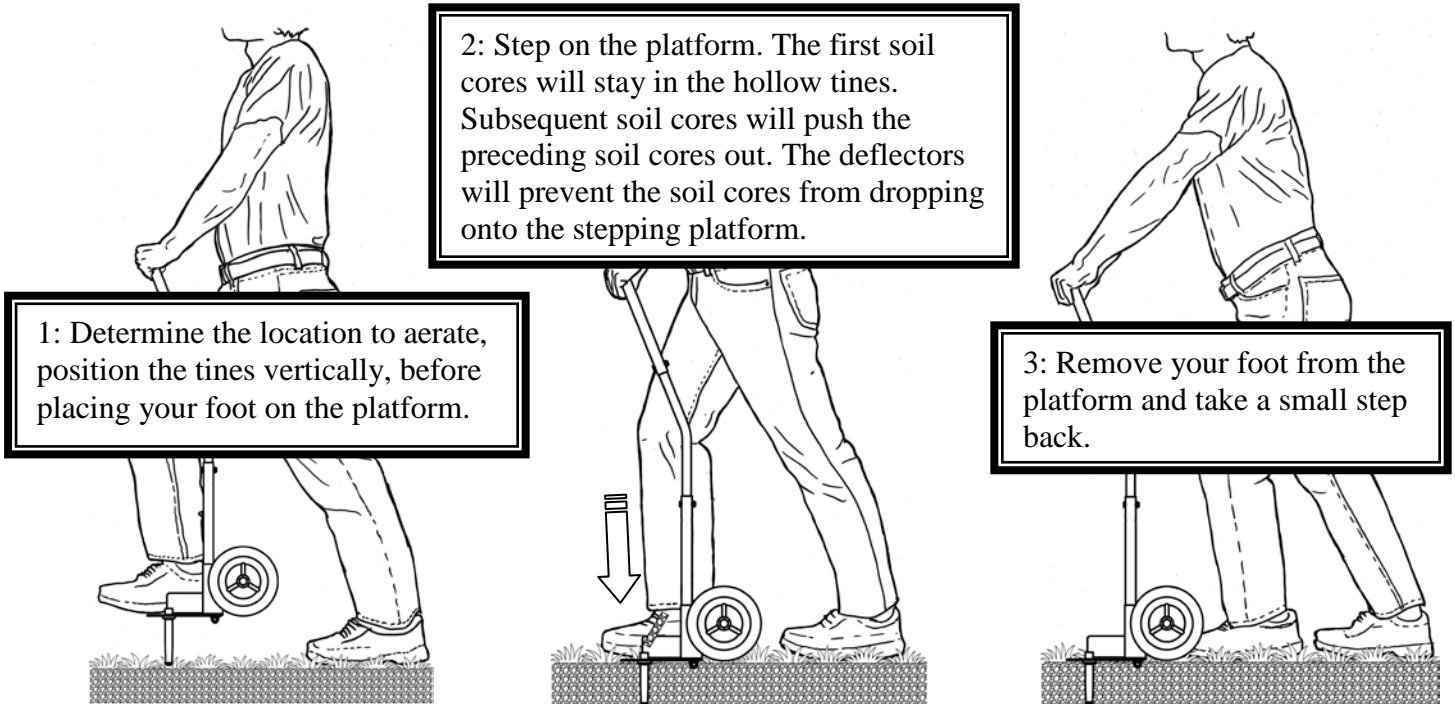
Aerate your lawn a day after one inch (or more) of rain or irrigation. Avoid aeration when soil is dry. The tines will not be able to penetrate deeply when the soil is dry. The grass should be dry so that you can walk on the lawn safely without losing traction, but the soil should be moist and soft. Note that the length of the soil cores is usually much less than the hole depth because the soil is compressed during the core removal process.



If you wish to leave the soil cores on the ground, open the deflectors as shown above.



If you wish to collect the soil cores, close the deflectors and place the container (an optional accessory) onto the platform. Secure the container using the latches. If needed, adjust the tightness of the latch by bending the latch hook.



To avoid excessive wear, avoid using the Step 'N Tilt™ when the ground is dry.

4. MAINTENANCE

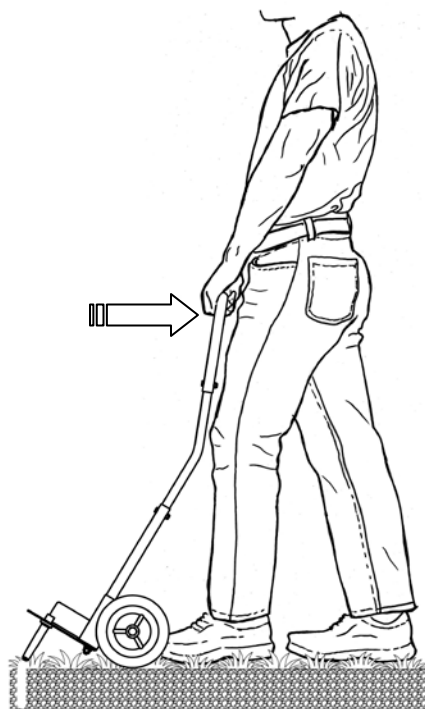
Remove the soil cores from the tines using the flat end of a pen or pencil. Apply a thin coat of oil (WD-40 or equivalent) on the tines after each use to prevent corrosion/rust. Corrosion on the inside surfaces of the tines may impede core removal.

Occasionally, the fasteners may become loose. There should not be any play in the joints; tighten the nuts to remove any play. Do not over-tighten the nuts.

Through the normal use, the powder coated finish on the aerating tines may deteriorate due to abrasion. In addition, the aerator tines may become dull and require sharpening. The steel tines may be sharpened with a grinding wheel. Due to its hardness, the tines cannot be easily sharpened with a file. Alternatively, you may purchase replacement tines from <http://corelawnaerator.com>.

5. LIMITED WARRANTY

Vibrant Yard Company, LLC. will repair or replace without cost to the owner any part or parts of the Step 'N Tilt™ found to be defective for a period of one year from the date of purchase.



4: Tilt the handle back to remove the tines from the ground. Repeat steps 1 to 4 to create holes that are between 2 to 4 inches apart. Alternate your left and right feet occasionally to reduce fatigue.